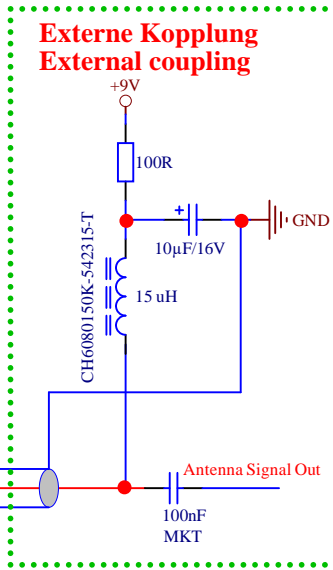
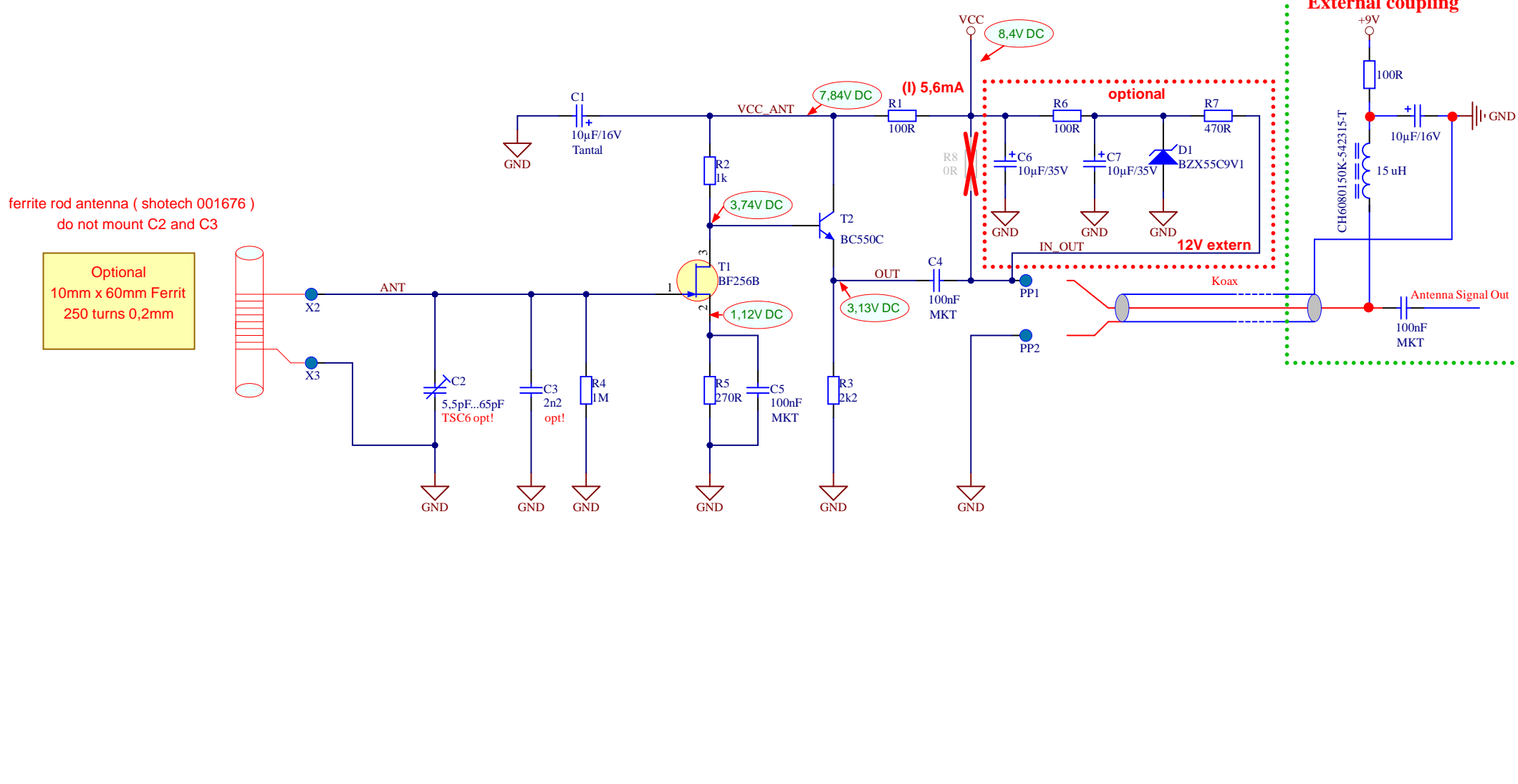
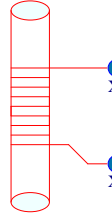


ferrite rod antenna (shotech 001676)
do not mount C2 and C3

Optional
10mm x 60mm Ferrit
250 turns 0,2mm



LP1
Bare-PCB
LP

Variant of DCF-77-SHO-ANT-V2-+12V

Title: DCF-77 aktiv Antenne		S.Hofmann info@shotech.de www.shotech.de Revision: 0.2	
Size: A4	Description: DCF-77		
Date: 06.02.2026	Time: 14:59:09	Sheet 1 of 1	
File: DCF-SHO-ANT-Sheet1-V2.SchDoc			

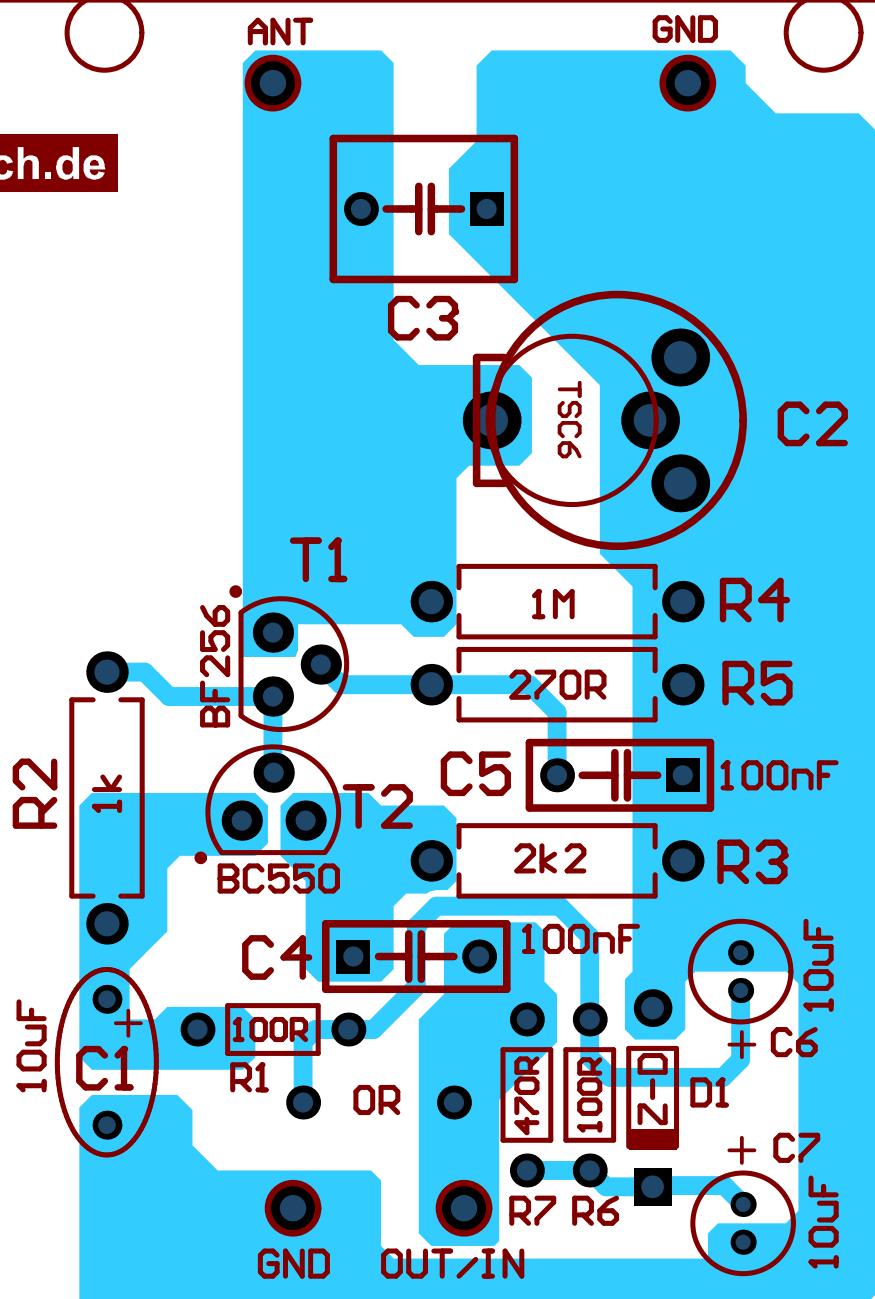
DCF77 - SHO-ANT
Rev. 0.2



Strapubox 516

ferrite rod antenna
10mm x 60mm

www.shotech.de



74,00

60,00

57,00

8,50

8,50

43,00



Bearbeiter: S. Hofmann
 Tel: 040 /
 Fax: 040 / 76906856
 Email: shop@shotech.de

Bill of Materials

Datum:	6. Februar 2026
Zeit:	14:59:25
Variante:	Variant of DCF-77-SHO-ANT-V2-
Bezeichnung:	+12V DCF-77 aktiv Antenne
Revision:	0.2

Quantity	Designator	Footprint	Bemerkung	Value	MFT	Order-code	shotech
1	C1	CAPNTO5.08-7.37x3.94	10uF 16V 10% (5 X 10.5mm) Radial 5mm 3.2 Ohm 125°C 10%	10µF/16V	AVX	TAP106K016CRS	1681
2	C4, C5	CAP_Radial_5MM_7k2_2k5	Folienkondensator, 100nF, 63V, RM5, 10%	100nF	KEMET	R82DC3100AA50K	1682
2	C6, C7	CAPPR5-4x7 - RM1.5	10uF 16V 10% (4 X 7mm) Radial 5mm 3.2 Ohm 125°C 10%	10µF/35V	JAMICON	JSS106M035S1A5B07L	2039
1	D1	DO-35	Zener-Dioden 9,1 Volt 0.5W 2%	BZX55C9V1	Taiwan Semiconductor	BZX55C9V1 R0G	2769
1	LP1		PCB DCF77 Antenna Amplifer for Strapubox 516	LP	shotech	DCF77-SHO-ANT	1683
4	PP1, PP2, X2, X3	PP-RTM1364E-Z	Lötstift quadr. 1,05x10mm verzinnt	RTM1364E-Z	Vogt	1364E.68	1570
2	R1, R6	RES6.5-3.4X1.9	WIDERSTAND, 204, axial, 1%	100R			1880
1	R2	RES10-7.8X2.8 - 1k	Metallsch. 0207 1/4W 1%	1k	frei	RMGK001	1235
1	R3	RES10-7.8X2.8 - 2k2	WIDERSTAND, 207, axial, 1%	2k2	frei	RMGK002.2	1238
1	R4	RES10-7.8X2.8	WIDERSTAND, 207, 1%	1M			1668
1	R5	RES10-7.8X2.8	WIDERSTAND, 207, axial, 1%	270R			1677
1	R7	RES6.5-3.4X1.9	WIDERSTAND, 204, axial, 5%	470R	YAGEO	CFR-25SJT-52-470R	2069
1	T1	SC_TO-92	JFET N-CH 30V 13MA TO92	BF256B	On Semiconductor	BF256B	865
1	T2	SC_TO-92	Hole TO-92-3	BC550C	ON Semiconductor	BC550CBU	1883
20							